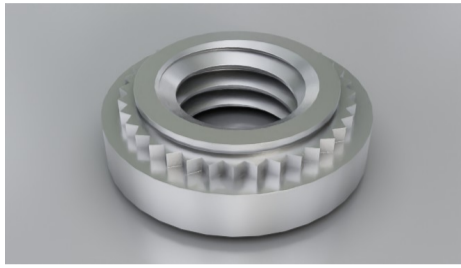
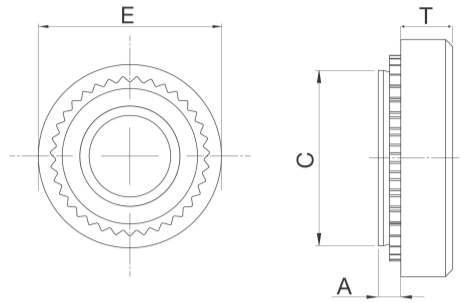


# Thin Sheet



Type: SF-SMPS



SF-SMPS

## Material Code

Grade300 stainless steel = SF-SMPS

## How to order

Type + Thread

Example: SF-SMPS-M3

Thread	A max. mm	C max. mm	E ±0.25 mm	T ±0.25 mm	Sheet Thickness min. mm	Rec. Hole Size +0.08 mm	Distance Centre Hole to Sheet Edge min. mm	Please note!
M2.5	0.61	3.79	5.6	1.4	0.64	3.80	3.7	
M3	0.61	4.22	5.6	1.4	0.64	4.24	4.3	

